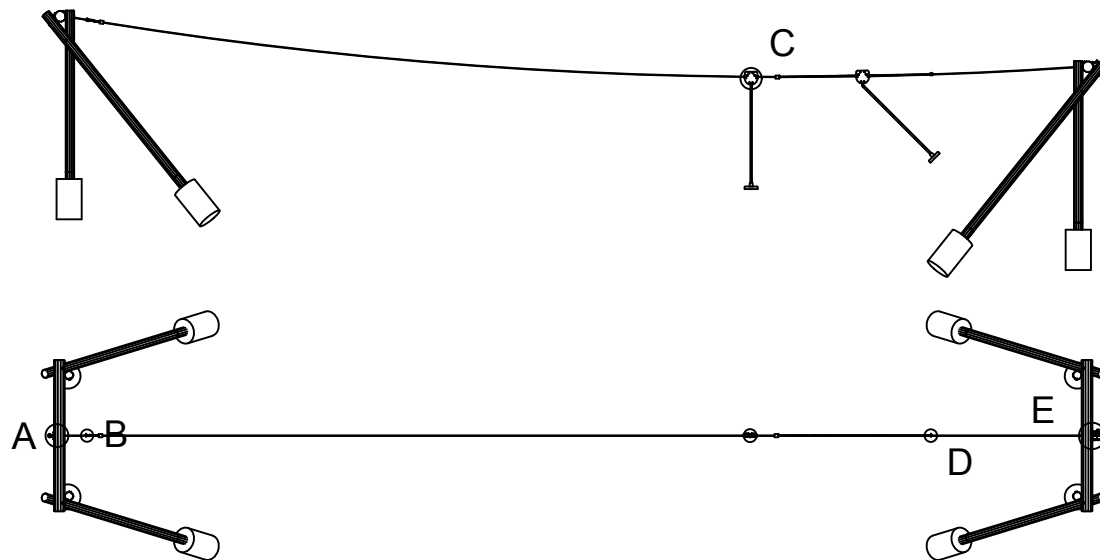
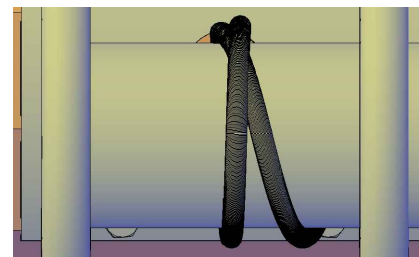
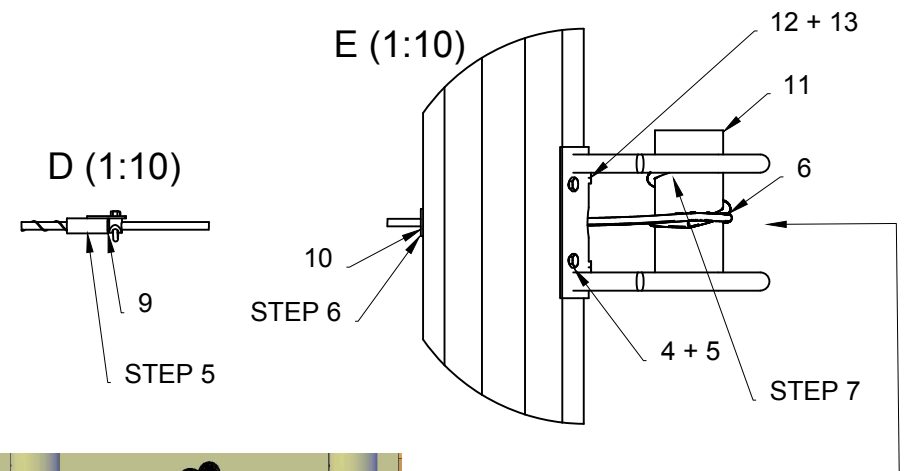
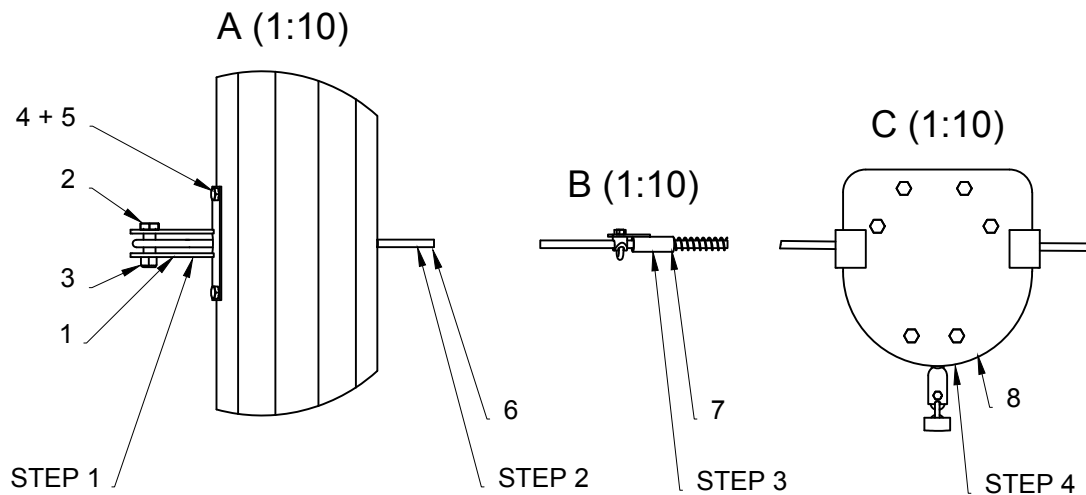


This drawing is the property of NORNA PLAYGROUNDS and pursuant to current legislation may not be copied, transferred to or used by any third party. Should this drawing be used, a fee of 10% of the assumed contract price will be charged.

NORNA PLAYGROUNDS	
Inst.p. No.85	
26.09.2016	REV. B:26.06.2019



Parts list		
POS	PART. NO	NAME/DIMENSION
1	LE 15511	Backstop for wire
2	LE 15140	M16x50 A2 Thread rod
3	LE 16100	M16 A4 DIN 985
4	LE 16252	8x80mm A2 Hexigon wood screw
5	LE16158	M8 A2 DIN 125A
6	LE 15516 /20 /30	Wire: 20m 30m 40m
7	LE 15514	Spring 300mm
8	LE 15508	Trolley
9	LE 15504	Spring 3000mm
10	LE 15498	Bushing
11	LE 15525	Wire tension locking system
12	LE 16251	10x100mm A2 Hexigon woodscrew
13	LE 16156	M10 Ø20mm A2 DIN 125A



NORNA
PLAYGROUNDS

Inst.p. No.85

26.09.2016

REV. B:26.06.2019